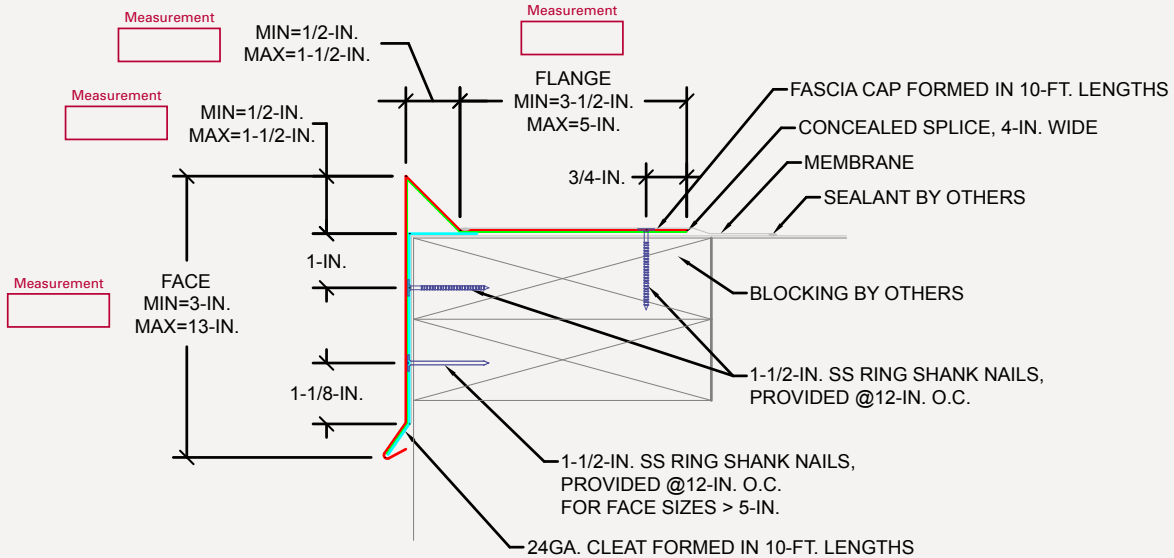


# OMG<sup>®</sup> MBED-G Fascia for Built-Up and Modified Roofs.

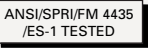



## ORDER SPECIFICATION FORM

ANSI/SPRI/FM4435/ES-1 TEST PRESSURES UP TO 247 PSF (HORIZONTAL)

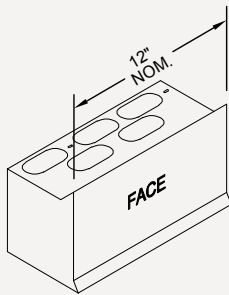
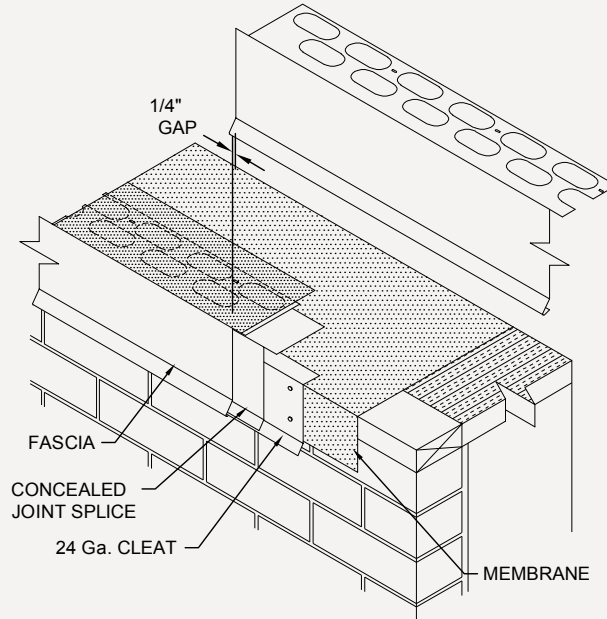


FOR MASONRY APPLICATIONS, PLEASE CONTACT US.

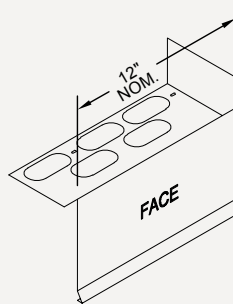
CONTACT US FOR APPROPRIATE RECOMMENDATIONS NEEDED TO MEET/EXCEED  
ANSI/SPRI/FM4435/ES-1 DESIGN CRITERIA

APPROVALS		COVER MATERIAL	THICKNESS	COVER FINISH
  Florida Product Approval  		Aluminum Galvanized Steel Stainless Steel	24Ga. 22Ga. .040 in. .050 in. .063 in.	Mill Prefinished Kynar Premium Prefinished Kynar Post Finished Kynar Prefinished Anodized Post Finished Anodized
QUANTITY		ACCESSORY TYPE		
<input type="text"/> Straight Length <input type="text"/> Total Miters (Inside: <input type="text"/> / Outside: <input type="text"/> ) <input type="text"/> Total End Caps (Left: <input type="text"/> / Right: <input type="text"/> ) <input type="text"/> Total End Terms (Left: <input type="text"/> / Right: <input type="text"/> ) <input type="text"/> Radius Notched <input type="text"/> Radius to Straight Miter Notched <input type="text"/> Radius End Cap <input type="text"/> Vault Welded <input type="text"/> Vault to Straight Miter Welded <input type="text"/> Vault End Cap <input type="text"/> Z-Miter <input type="text"/> Ridge Miter <input type="text"/> Valley Miter <input type="text"/> Sumps <input type="text"/> Spillouts		Welded Folded		
CUSTOMER APPROVAL				
<input type="checkbox"/> Approved for Fabrication		<input type="checkbox"/> Approved with Changes		<input type="checkbox"/> Not Approved
Authorized Customer Signature _____				
Title _____			Date _____	
Job Name: _____				
Project Location: _____				
Customer: _____				
Representative: _____				
FACE HEIGHT		COLOR		
<input type="text"/>		<input type="text"/>		

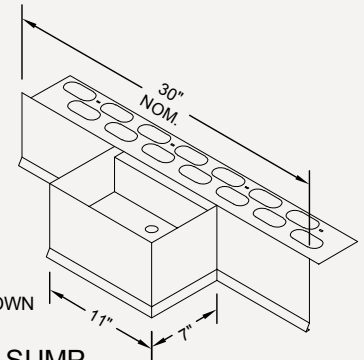
**OMG**  
**MBED-G Fascia** for Built-Up and Modified Roofs.



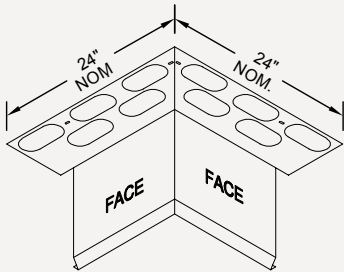
**END CAP**  
 LEFT HAND SHOWN



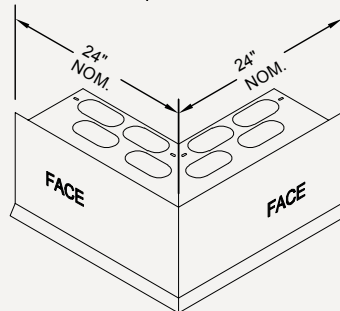
**END TERM**  
 RIGHT HAND SHOWN



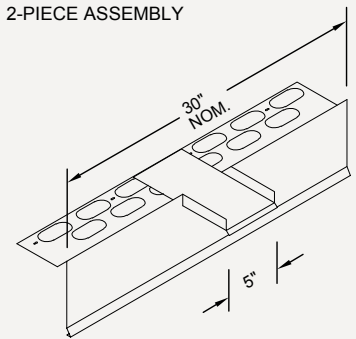
**SUMP**  
 2-PIECE ASSEMBLY



**INSIDE MITER**



**OUTSIDE MITER**



**SPILLOUT**  
 2-PIECE ASSEMBLY

Standard fascia miter leg lengths are 24" Nominal  
 Standard fascia miter angle is 90°  
 For special miter requirements, attach sketches or consult manufacturer for assistance.

**OMG**  
**EdgeSystems**

4 COMMERCE WAY, ARDEN NC 28704 USA  
 800-892-9173 828-676-1700 [OMGROOFING.COM](http://OMGROOFING.COM)

Copyright © 2020 OMG, Inc. All rights reserved.

Superior productivity.  
 Superior performance.

